

# PRODUCT INTRODUCTION

ROBOTIC POOL CLEANER

[www.addotron.com](http://www.addotron.com)



Manufacturer: Shandong Addotron Robotics Technology Co., Ltd  
Add: B2-301, No.33 Beihang Road, Yantai, Shandong, P.R.China  
After-sales: [sales@addotron.com](mailto:sales@addotron.com)  
Tel: +86 13553117062  
WhatsApp: +86 13553117062



# 01

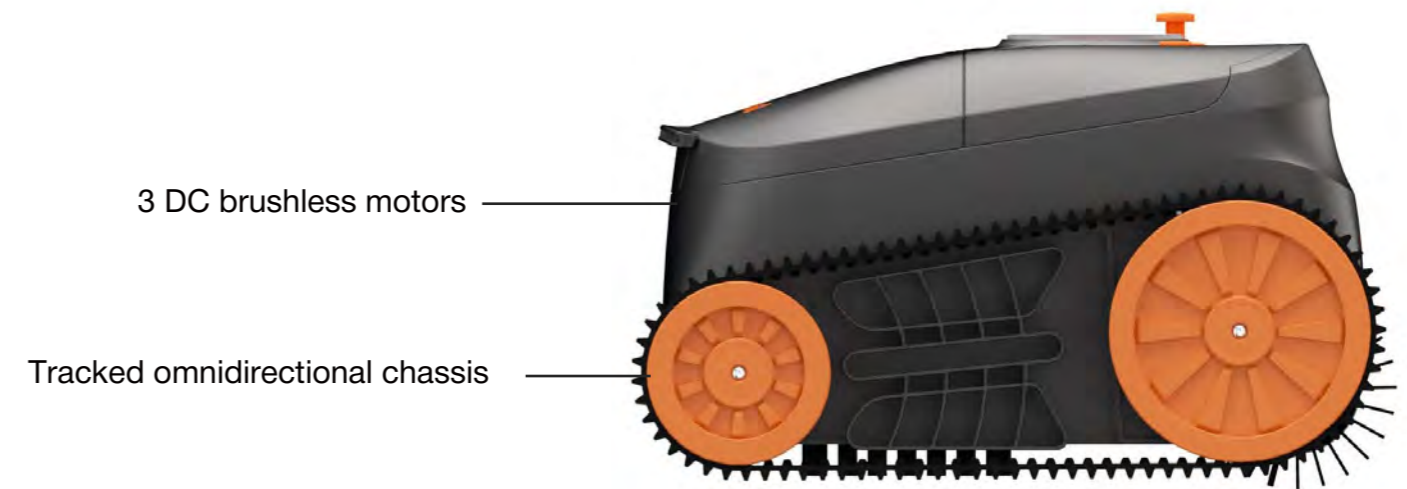
## ROBOTIC POOL CLEANER-X5

### Product introduction

A wireless pool cleaning robot that integrates efficient cleaning, long battery life and intelligent navigation.

Using advanced underwater robot technology, combined with environmentally friendly and safe materials, we have carefully developed a series of swimming pool cleaning robots, redefining the concept of "clean".

Equipped with 3 DC brushless motors, track type omnidirectional chassis, axial flow water spraying/suction system, double rolling brush cleaning device.



## Product characteristics

- **Excellent performance and durability**

Built-in 5500mAh battery, 2.5 hours full, battery life of 180 minutes

- **Easy to operate**

One-click start, fool operation, easy to get started

- **Intelligent and efficient**

Intelligent algorithm planning route, self-cleaning, decontamination strong, improve water quality, no need for artificial continuous pipe

- **Safe application**

IPX8 waterproof and anti-leakage, safe operation in water, suitable for various swimming pools, flexible cleaning

## Application field

Pool cleaning robots are mainly used in the automatic cleaning of domestic, commercial and public swimming pools.

as well as the water quality maintenance of SPA pools, hot spring pools and water recreational facilities.





# ROBOTIC POOL CLEANER X5

Brushless machine

## Product information

- Equipped with 3 DC brushless motors, track type omnidirectional chassis, axial flow water spraying/suction system, double rolling brush cleaning device
- Intelligent constant speed, constant power and torque control, water entry detection and water off protection, motor blocking and overcurrent protection
- Intelligent gyroscope algorithm, inertial navigation positioning algorithm, path planning algorithm, attitude fusion and control algorithm
- Intelligent trapped detection and escape control algorithm, intelligent pool coverage direction detection and switching algorithm
- Color LED lights as battery power, working status and alarm indication
- The color LED light is used as the battery power, working status and alarm indicator, and the buzzer is used as the switch indicator
- 22.2V (6S2P), 5200mAh large capacity lithium battery, intelligent power supply and management software
- Fast charge for 2.5 hours lasts more than 150min, full charge for 3.5 hours lasts 180min
- Operating temperature: 10 °C to 40 °C
- This product is suitable for ground flat swimming pool

## Product specification

Functional items	describe	Remark
Cleaning method	Garbage bin	Removable trash bin
Power Mode	Brushless motor drive	
Walking Path	Bow	
Button Type	Micro switch	
Display Type	LED Light	Color, 6 pcs
Motor Type	Brushless DC Motor	
Battery Type	18650 Lithium Battery	
Water ingress detection	Intelligent power detection	Stop when out of water, start when in water
Status Indicator	LED Light	Color, 6 pcs
Battery level display	LED Light	Color, 6 pcs
Charging control	No control, but with charging protection	Adapter direct charging
Overcharge protection	have	Battery internal protection
Overcurrent protection	have	Battery internal protection + software protection
Low battery alarm	LED Light	red light
Input reverse polarity protection	have	Adapter overcurrent protection, socket fool-proof design
Input undervoltage alarm	LED Light	
Input overvoltage alarm	LED Light	
Motor overcurrent protection	Software protection, hardware protection	Overcurrent limitation, hardware fuse

category	project	describe	Remark
Basic Functions	Host operating voltage	22.2V	
	Overall power	Max60W,Min40W	
	Battery capacity	5200mAh	6S2P, 22.2V, 5200mAh
	Charging voltage	25.2V	
	Charging Current	2.5A	The current is controlled by the charger
	Fast charging time	2.5H (150Min)	The green LED of the machine is steady on
	Full of time-consuming	3.7 hours (180 minutes)	Ground: 180 minutes, wall climbing 150 minutes
	Standby power consumption	<0.001W	In shutdown state, press the button to turn on
	Power consumption after full charge	<1W	
	Water entry start time	35S	
	Working hours	180 minutes	Related to charging status and working conditions
	Motor operating power	Max60W,Min30W	
	Motor protection	have	Stall protection, over current protection, short circuit protection
	Discharge over temperature protection	65 degrees	Battery discharge protection temperature
	Waterproof grade	IPX8	
	Minimum working depth	1M	
	Maximum working depth	3M	
	Operating temperature range	50-105°F (10-40°C)	
	Storage temperature range	14°F-140°F (-10°-60°)	
	Applicable swimming pool type	Above-ground and underground swimming pools	
Displacement	230L/Min-350L/Min		
Charging over-temperature protection	55 degrees	Battery charging protection temperature	
Obstacle-crossing ability	Climbable90 degree wall	Wall climbing mode	
Travel speed	0.2 m/s		
Coverage	>98%		
Cleaning efficiency	>95%		
Cleaning Mode	Comprehensive Mode	Clean the walls first, then the floor	U-shaped wall + bow-shaped ground path planning
	Ground Mode	Clean the floor only	Bow-shaped path planning
	Wall Mode	Clean walls only	U-shaped path planning
	Classic Mode	Suitable for complex swimming pool	Radial path planning (classic method)

# Efficient cleaning

Strong suction up to 5550 GAL/ hour



Shard



Lamina



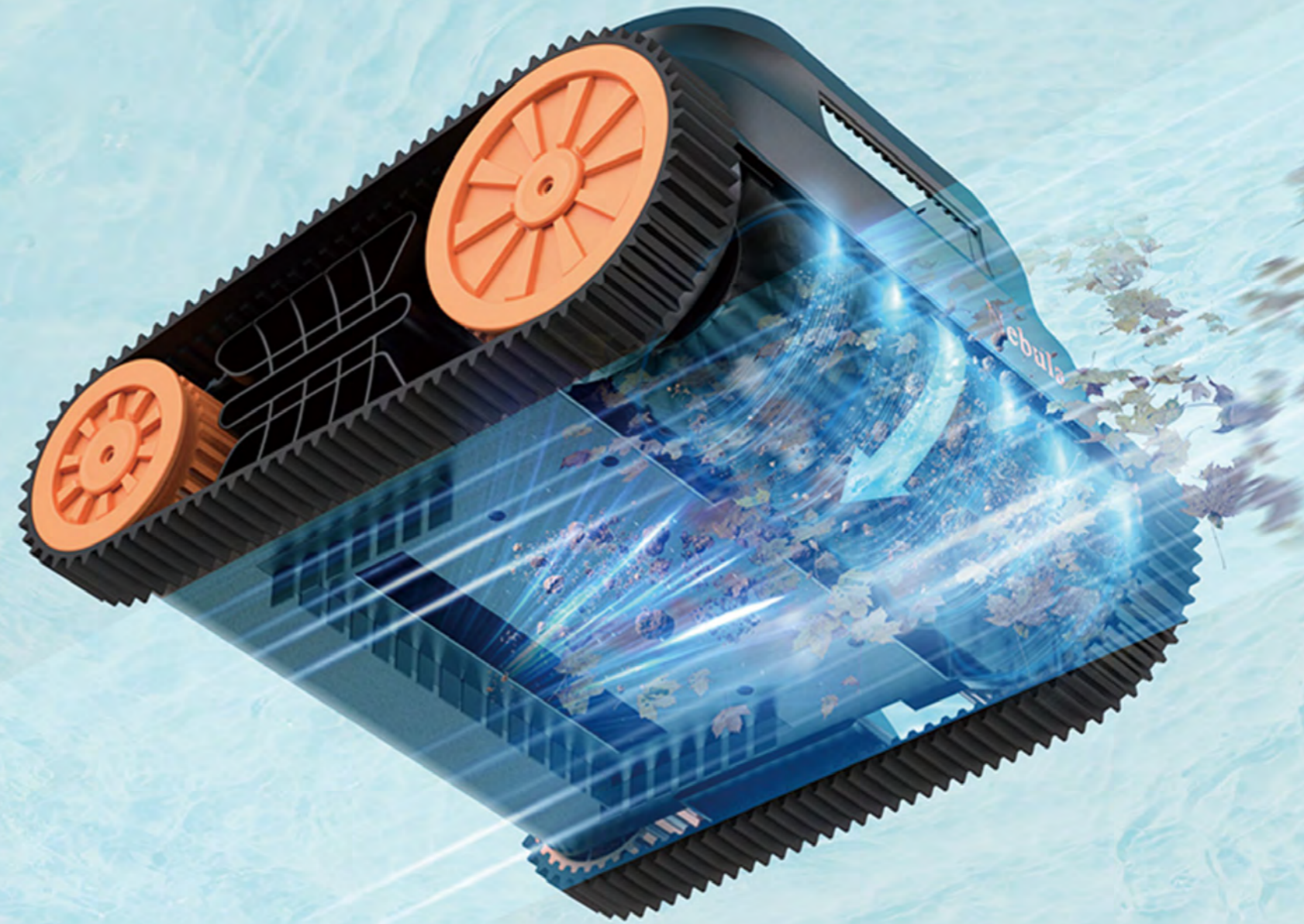
Branch



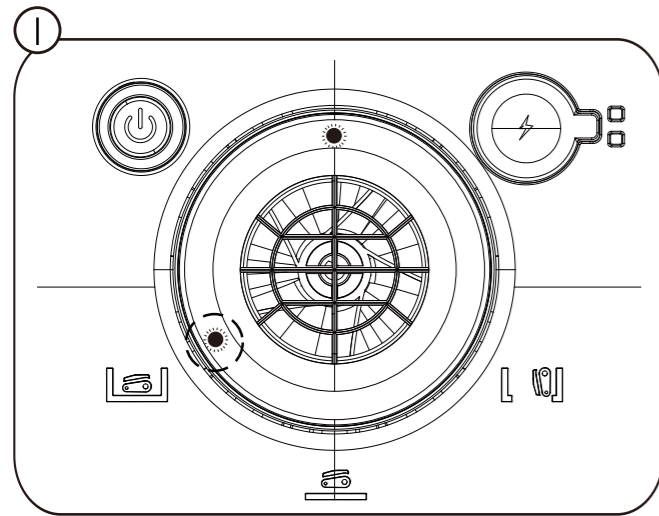
Hair



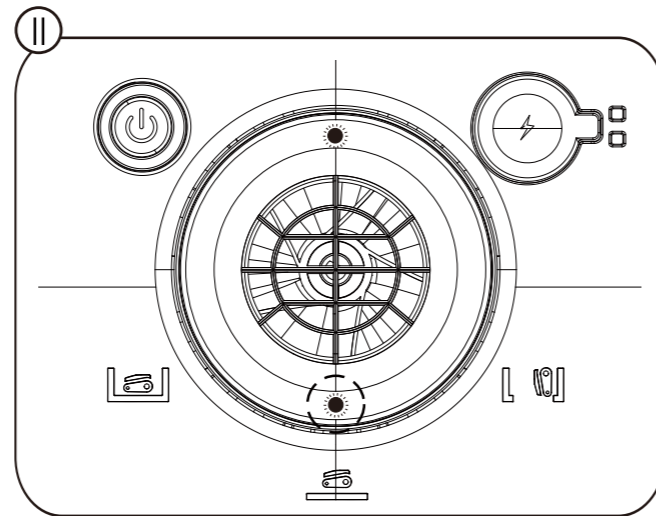
Sand



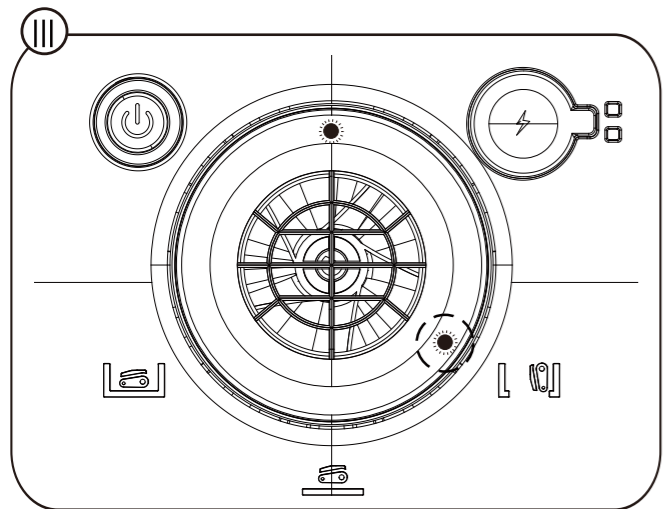
## 4 cleaning modes



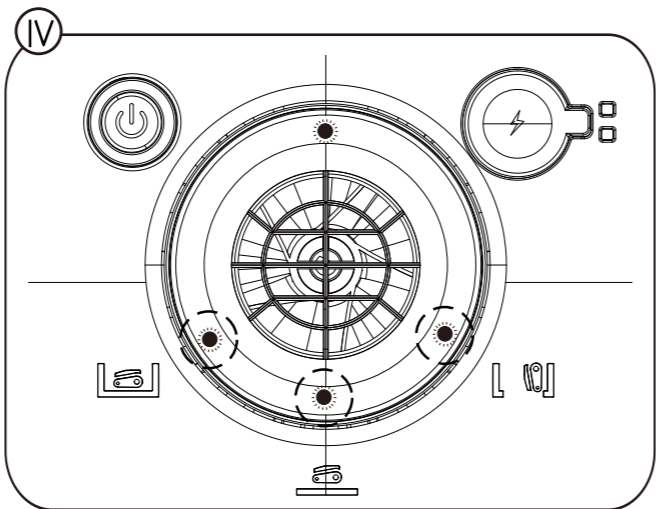
I Smart Cleaning Mode



II Floor Cleaning Mode



III Wall Cleaning Mode



IV Classic Cleaning Mode

Note: The corresponding mode indicator light will illuminate when switching modes.

I. Smart Cleaning Mode: The robot cleans the wall and waterline first. When the battery is below 50%, floor cleaning will be conducted.

II. Floor Cleaning Mode: The robot will clean the pool floor along the "S"-shaped route.

III. Wall Cleaning Mode: The robot will clean the wall along the "U"-shaped route.

IV. Classic Cleaning Mode: The robot will clean the pool floor and wall at the same time along the radial shaped route.



## Parts details



Item	Name	Model	Quantity
1	Robot	Planet	1
2	Charger	—	1
3	Hook	—	1
4	Brush	—	2
5	Screw	M4*10	4
6	Handle	—	1
7	User manual	—	1

# 02

## ROBOTIC POOL CLEANER-XT PRO

---

### Product introduction

XT Pro is a brand-new cordless wall-climbing swimming pool cleaning robot, featuring automatic obstacle avoidance, automatic detachment from jamming, and intelligent route coverage.

### 3.5L

3.5L Capacity  
Garbage Basket

### 10400mAh

10400 mAh battery

### 4

4 Differentiated  
Oversized Wheels





Polyvinyl chloride foil

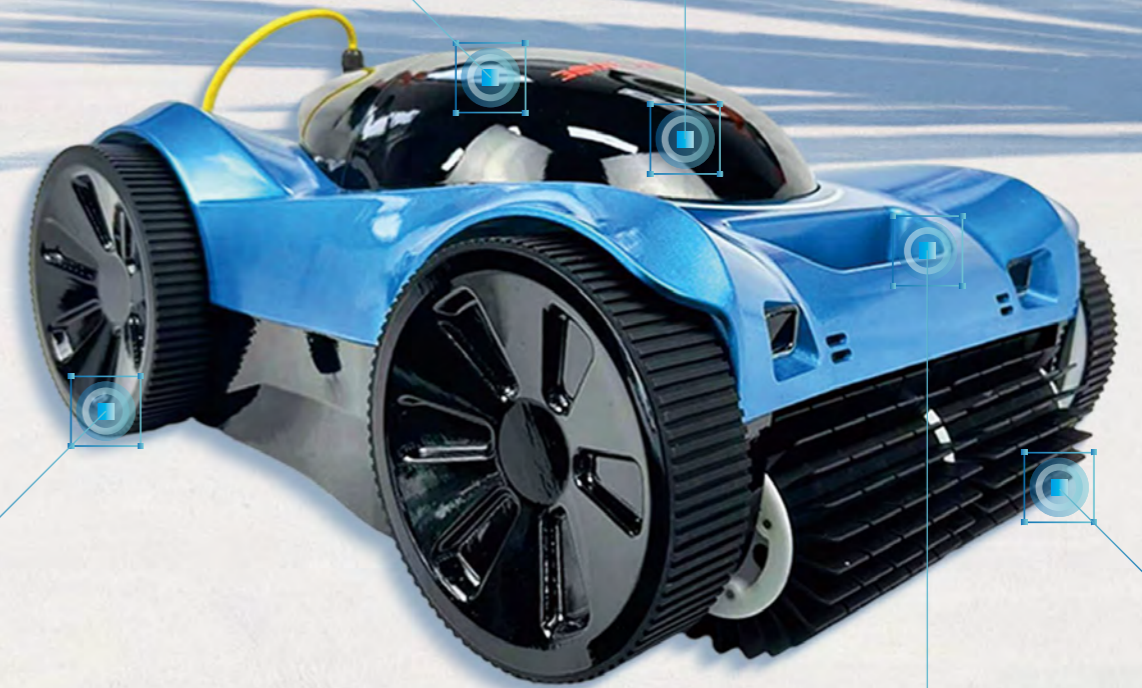
Ceramic material/tile

Fiberglass

Pebble

3.5L Capacity Garbage Basket

Pool Wall Detection



Multi-Sensor Positioning

4 Differentiated Oversized Wheels

High-Speed Front Wheel Washing Brushes

## Product advantages

- 1.The world's first pool cleaning robot in the shape of a sports car.
- 2.The world's first swimming pool cleaning robot with a tail push motor.
- 3.No salvage tools needed with one-click wall climbing.
- 4.The only robot on the market that can clean irregular walls
- 5.More convenient with both remote control and APP.
- 6.10400 mAh battery, 4.5 hours working 1 time in comprehensive cleaning mode.

- Suitable for All Pool Shapes
- APP Control
- High Filtration System
- Intelligent Path Planning
- Curved Wall Climbing
- Strong Suction Power
- One-Button Start
- 4.5 HOURS Work for 4.5 Hours on A Single Charge
- 2-Year Warranty
- Automatic Edge Stop When Low Battery
- Battery Cycle About 1000 Times
- Available Colors

## Specification



Items	XT	XTPRO
Cleaning Area	300m <sup>2</sup>	600m <sup>2</sup>
Battery Capacity	5200mAh	10400mAh
Running Time	2.5 Hours	4 Hours
Charging Time	2 Hours	4 Hours
Suitable Depth	0.5-3m	0.5-3m
Movement Speed	12m/min	12m/min
Filtration Accuracy	180μm	180μm
Filtration Volume	3.5L	3.5L
Motor Power	300W	300W
Battery Voltage	22.2V	25.2V
Input	100-240V, 50-60Hz, 3.5A	100-240V, 50-60Hz, 3.5A
Output	25.2V=3A	25.2V=3A
App Control	None	Yes
Remote Control	Yes	Yes
OTA Update	None	Yes
Package Size	66*56*39cm	66*56*39cm



Item	Name	Quantity
1	Addotron Pool Cleaning Robot	1
2	Power Adapter	1
3	User Manual	1
4	Remote Control	1
5	Quick Start Guide	1
6	Charging Cable	1

